

Draft 1

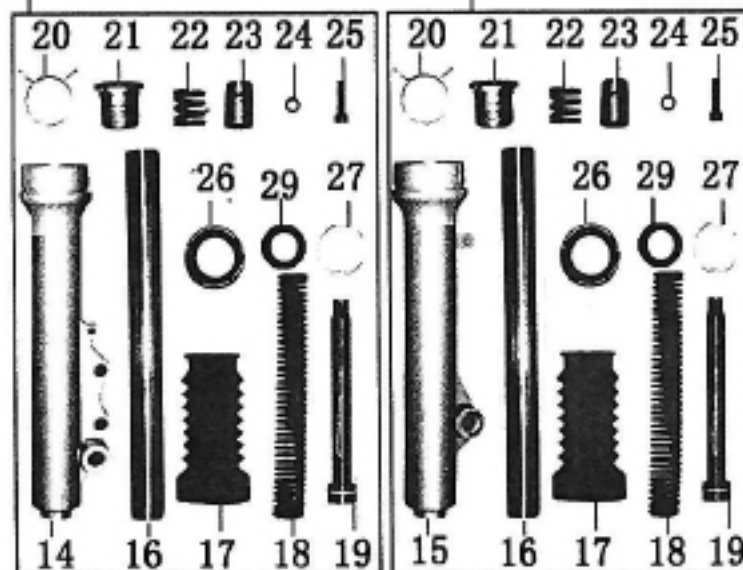
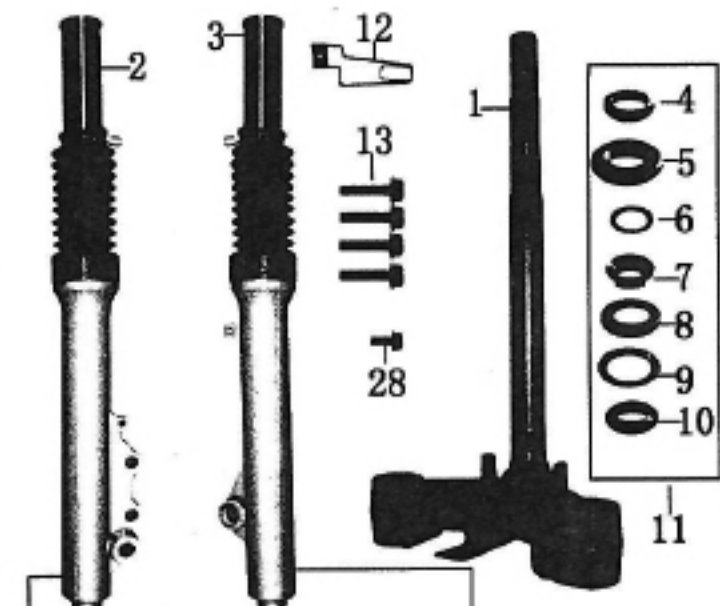


图1

前叉总成

Draft 1

Front fork assy

NO.	Part NO.	Chinese Name	Description	QTY
1	010001	方向柱焊接组件	Steering column	1
2	010002	右前减振器405	Front right absorber assy405	1
3	010003	左前减振器405	Front left absorber assy405	1
4	010004	小八角锁紧螺母	Locknut	1
5	010005	上轴承上座	Upper cover, Upper bearing	1
6	010006	上轴承钢珠	Ball, Upper Bearing	1
7	010007	上轴承下座	Under cover, Upper bearing	1
8	010008	下轴承上座	Upper cover, Under bearing	1
9	010009	下轴承钢珠	Ball, Under Bearing	1
10	010010	下轴承下座	Under cover, Under bearing	1
11	010011	钢碗组合	Bearing assembly	1
12	010012	里程线支架	Bracket of Speedometer cable	2
13	010013	六角法兰面螺栓M10×35	Hexagon bolt M10×35	4
14	010014	右减震筒	Absorber tube, Right	1
15	010015	左减震筒	Absorber tube, left	1
16	010016	减压管	Decompression tube	2
17	010017	防尘套	Dust-preventing	2
18	010018	长弹簧	Long Spring	2
19	010019	内螺母套	Nut	2
20	010020	卡簧	Circlip	2
21	010021	减压管盖	Cover of Decompression tube	2
22	010022	短弹簧	Short Spring	2
23	010023	衬套	bush	2
24	010024	橡胶圈	Rubber ring	2
25	010025	内六角螺栓M8×25	Hexagon bolt M8×25	2
26	010026	油封	Seal	2
27	010027	卡簧	Circlip	2
28	010028	六角法兰面螺栓M6×12	Hexagon bolt M6×12	1

Draft5

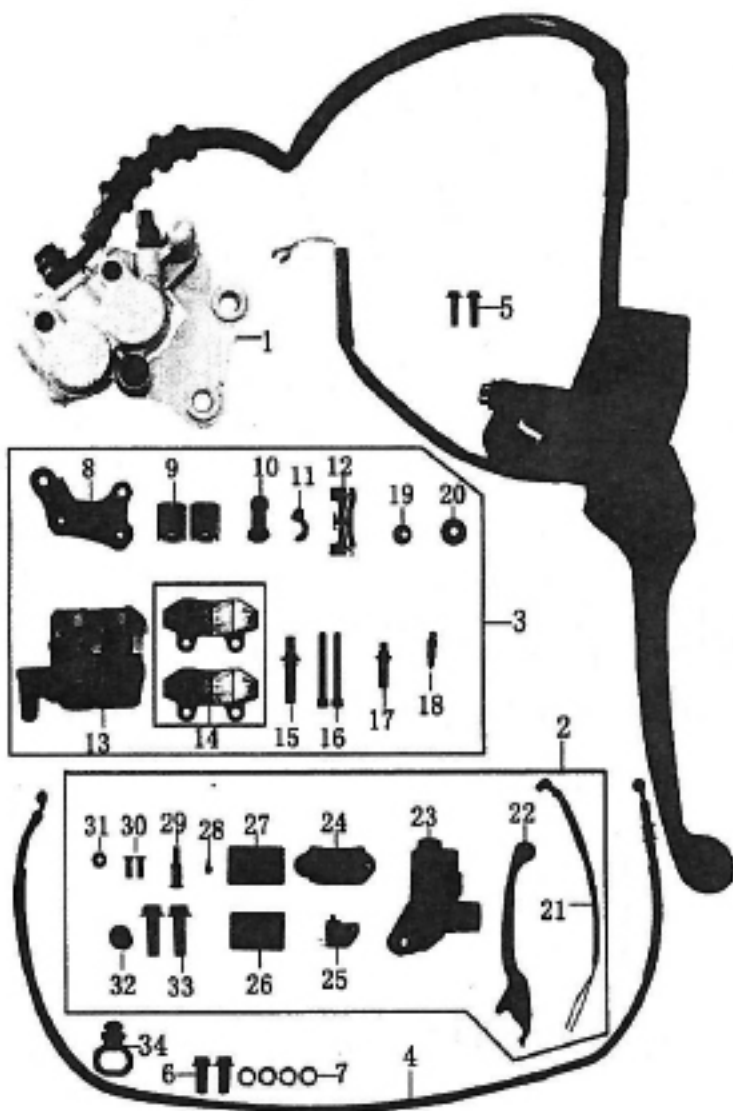


图5

前碟刹总成

Draft 5

Front brake assy

NO.	Part NO.	Chinese Name	Description	QTY
1	050001	碟刹总成	Front brake	1
2	050002	前制动上泵	Main Cylinder, Front Brake	1
3	050003	前制动下泵	Sub-Cylinder, Front Brake	1
4	050004	油管 L=1020mm	Hose L=1020mm	1
5	050005	六角法兰面螺栓M10×30	Hexagon bolt M10×30	2
6	050006	油管.六角法兰面螺栓M10×22	Tubing. Hexagon flange bolts M10 ×	2
7	050007	垫片	Washer	4
8	050008	固定支架	Fixation	1
9	050009	下泵活塞	Piston of Under pump	2
10	050010	防尘橡胶	Rubber of Anti-dusting	1
11	050011	放气嘴帽	Cap of Valve stem	1
12	050012	弹簧	Spring	1
13	050013	下泵壳体	Body of Under pump	1
14	050014	制动片	Brake Pads	1付
15	050015	定位导轨	Location Guide	1
16	050016	内六角螺栓M8×25	Hexagon bolt M8×25	2
17	050017	定位导轨	Location Guide	1
18	050018	专用放气螺栓	Special Bleed Screw	1
19	050019	六角法兰面自锁螺母 M8	Hexagon nut M8	1
20	050020	防尘橡胶垫	Anti-dusting, Rubber Washer	1
21	050021	开关线	Front brake switch	1
22	050022	制动手柄	Front Brake Lever	1
23	050023	上泵壳体	Body of Upper pump	1
24	050024	固定铝块	Fixed Aluminum	1
25	050025	刹车开关	Brake Switch	1
26	050026	橡胶密封垫	Rubber Seal Washer	1
27	050027	油杯上盖	Cover of oil cup	1
28	050028	十字盘头螺钉M4×9	Screw M4×9	1

Draft10

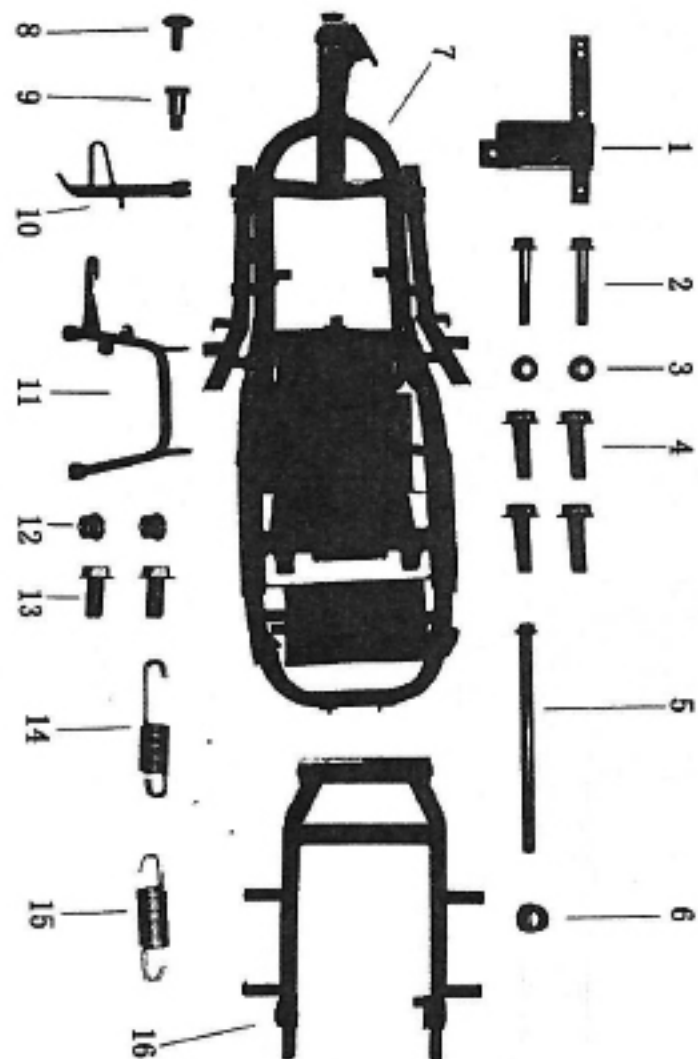


图10

车架总成

Draft 13

Frame assy

NO.	Part NO.	Chinese Name	Description	QTY
1	100001	喇叭支架	Bracket of horn	1
2	100002	六角法兰面螺栓M6×55	Hexagon flange bolts M6×55	2
3	100003	六角法兰面M6螺母	Hexagon flange nut M6	2
4	100004	六角法兰面螺栓M6×20	Hexagon flange bolts M6×20	4
5	100005	平叉轴 M12×225	Ping fork shaft M12 × 225	1
6	100006	六角法兰面M12螺母	Hexagon flange nut M12	1
7	100007	车架总成 (含电瓶压条)	Frame assy	1
8	100008	十字大扁头螺钉M6×16	Cross large flat head screw M6 × 16	1
9	100009	专用台阶螺栓M8×22	Bolt M8 × 22 special stage	1
10	100010	单撑	single pole	1
11	100011	双撑	Double pole	1
12	100012	双撑专用衬套	Double pole dedicated bush	2
13	100013	六角法兰面螺栓M10×30	Hexagon flange bolts M10×30	1
14	100014	单撑弹簧L=95mm	Spring L = 95mm single pole	2
15	100015	双撑弹簧L=85mm	Spring L = 85mm Double pole	1
16	100016	平叉	SWING ARM	1
				2
				1
				1
				1
				1
				1
				3
				1
				5
				2
				1
				1

